



SEBO ET-1 AND ET-2
POWER HEADS

OWNER'S MANUAL

For Household Use Only



TABLE OF CONTENTS

Technical Details	2
How To Contact SEBO	2
Important Safety Instructions	3
SEBO ET Power Head Product Features	4
Identification of Parts	5
Attaching the Power Head to the Telescopic Tube	5
Attaching the Central Vac Adapter	5
Operating Instructions	6
Operating the Power Head.....	6
The Brush Height Adjustment Feature.....	6
Indicator Lights.....	6
Maintenance	7
Changing the Brush Rollers	7
Cleaning the Brush Rollers	7
Clog Removal	7
Clogs in the Airflow Pathway	7
Clogs in the Swivel Neck	7
Trouble-Shooting Guide	8
ET-1 Power Head Schematic and Part Numbers	9
ET-2 Power Head Schematic and Part Numbers	10

TECHNICAL DETAILS

	ET-1	ET-2
Brush motor	175 Watts, 1.6 Amps	200 Watts, 1.8 Amps
Width	12 in.	15 in.
Weight	5.4 lbs.	5.7 lbs.
Brush roller	Replaceable	Replaceable
Brush drive	Toothed belt with electronic overload protection	Toothed belt with electronic overload protection

HOW TO CONTACT SEBO

To contact SEBO in the United States of America:

SEBO America, LLC
 Telephone: (800) 334-6614
 Fax: (303) 792-9196
 Website: www.sebo.us

To contact SEBO in Canada:

Floor Care Equipment, Ltd.
 Telephone: (800) 661-8687
 Fax: (800) 270-4807
 Website: www.sebocanada.ca

For Warranty coverage information please refer to your Warranty Card included with your SEBO power head.

IMPORTANT SAFETY INSTRUCTIONS



READ ALL INSTRUCTIONS BEFORE USING THIS MACHINE

SAVE THESE INSTRUCTIONS.

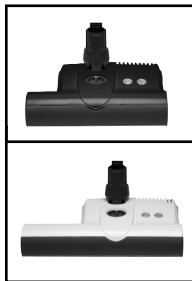
WARNING: To reduce the risk of fire, electric shock, or injury:

1. Do not leave power head while plugged in. Unplug when not in use and before servicing.
2. Do not use outdoors or on wet surfaces.
3. Do not use near small children or pets. Do not allow to be used as a toy. Use of this product by children should always be supervised by an adult.
4. Use only as described in this manual. Use only manufacturer-recommended attachments.
5. If power head is not working as it should, has been dropped, damaged, left outdoors, or dropped into water, take it to a SEBO service center.
6. Do not plug in if switch is in the ON position.
7. Always carry the power head over steps and sills.
8. Do not handle power head with wet hands.
9. Do not put any object into openings. Do not use machine with any openings blocked. Keep openings free of lint, hair, and anything that may reduce air flow.
10. Do not remove any screws from power head.
11. Do not vacuum up anything that is burning or smoking, such as cigarettes, matches, or hot ashes.
12. Turn off all machine controls before storing.
13. Use extra care when cleaning on stairs.
14. Machines can cause a fire when operated near flammable vapors or materials. Do not operate this power head near flammable fluids, dust or vapors or vacuum up flammable or combustible liquids such as gasoline.
15. Maintenance and repairs must be done by qualified personnel.
16. Use only original SEBO replacement parts.
17. Do not use power head as a step.
18. Do not leave power head standing in one place with machine turned on.
19. Keep hair, loose clothing, fingers, and all parts of body away from power head openings and moving parts. Do not place fingers or other body parts under power head unless it is unplugged.
20. Do not place the power head over rug edges or fringe.
21. The brush motor has a manual reset electronic protector. If the brush roller is jammed, the power head will shut down automatically. Turn the power head off and unplug it before removing the obstruction. Once the obstruction is removed you may plug it in and turn on the power head.
22. Store the power head in a dry place at room temperature.
23. Use this power head only in combination with a SEBO vacuum cleaner or a SEBO central vac adapter.
24. Do not connect power head to a malfunctioning or damaged vacuum cleaner, central vac adapter or central vac system.

SEBO ET POWER HEAD PRODUCT FEATURES

Your SEBO ET-1 and ET-2 Power Heads are designed for use with SEBO canister vacuum cleaners and central vacuum units. The SEBO canister vacuums equipped with ET-1 or ET-2 Power Heads are among the most technically advanced canister vacuum cleaner systems in the world.

The SEBO ET-1 (12 inches wide, 10 1/2-inch cleaning path) and ET-2 (14 3/4 inches wide, 13-inch cleaning path) – This model comes in two widths and has four-level manual brush height adjustment. It aggressively cleans carpets, but the brush roller may be switched off by pressing the green illuminated on/off button, so delicate rugs and hard floors can be cleaned with straight suction. Its amazing 180° steering ability provides maneuverability around furniture, and the extension side of the L-shaped head makes cleaning edges and under counters easy.



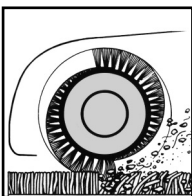
Brush Obstruction Light & Auto Shut Off

– If an obstruction becomes jammed in the brush roller, a warning light will quickly flash, the brush roller will immediately stop spinning and the vacuum will shut off. The user should turn the power switch off, unplug the machine, and immediately remove the obstruction. If the user restarts the machine without removing the obstruction, the power head will again shut off and the amber light will turn on. This prevents the belt from breaking and protects the motor and carpet from damage.



Incorrect Height Setting or Brush Deterioration Light

– To ensure optimum cleaning at all times, a warning light will illuminate to indicate when the brush height is set too high for effective cleaning, or when the brush roller should be replaced due to excessive wear.



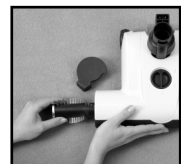
Manual Height Adjustment - The ET power head brush height may be adjusted for high carpet (dial setting 4) and progressively lower to bare floor (dial setting 1). The amber light located on top of the power head will illuminate if the height setting is too high or if the brush roller is worn. Dial down to the next number until the amber light turns off.

Manual and Automatic Brush Shut Off – The ET power head can clean delicate rugs or hard floors with straight suction because the brush roller can be manually switched off by pressing the green illuminated on/off button on the power head cover. Also, the brush roller automatically shuts off when the suction hose from an attached vacuum is removed from its housing port or when the swivel neck of the power head is in its upright-locked position.

Stationary Use - When the power head swivel neck is in the upright-locked position, it is designed to shut off the brush roller. The green light does not illuminate in the upright position. The green light will illuminate only in the operating position. An operating power head should not stand stationary on the floor for inappropriate periods of time.

Easy Brush Removal and Cleaning

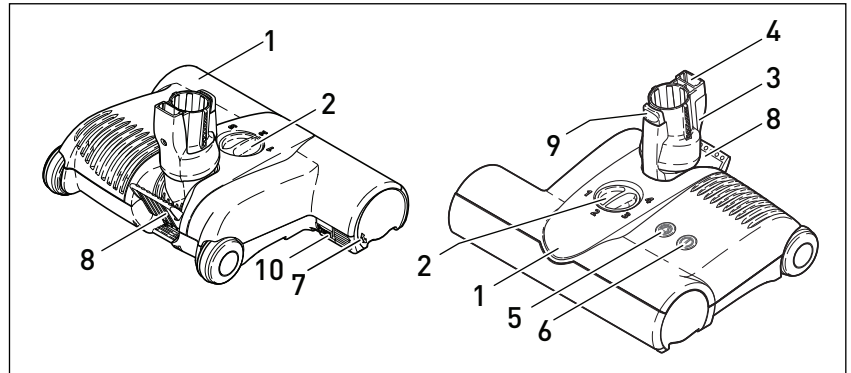
– Cleaning hair or other debris from the brush roller or replacing it when its bristles are worn is quick and easy, and no tools are required! This feature ensures consistently effective brush agitation of the carpet pile.



Easy Maintenance – The clog removal door and brush roller are easy to access on the power head.

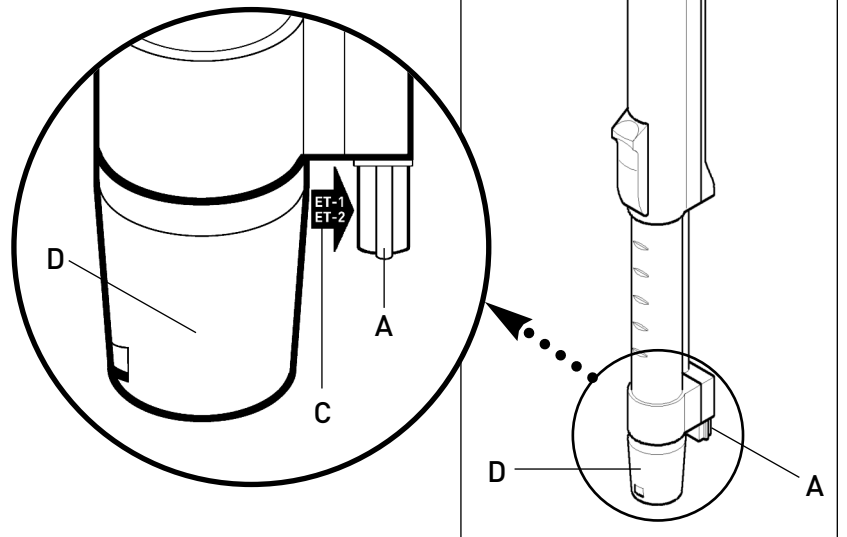
IDENTIFICATION OF PARTS

1. Power head
2. Brush height adjustment
3. Swivel neck
4. Connection plug
5. Brush indicator light
6. Brush on/off switch and power light
7. Brush roller end cap
8. Foot Pedal
9. Telescopic Tube release button
10. Brush roller release button

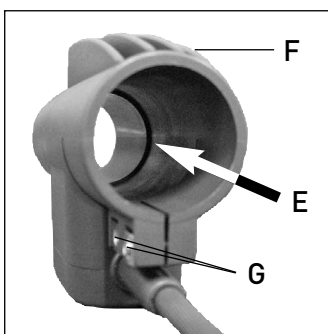


ATTACHING THE POWER HEAD TO THE TELESCOPIC TUBE of your SEBO Canister Vacuum

1. Find the connection tab (A) at the base of the telescopic tube (B).
2. Move the connection tab (A) OUT away from the tube (C). See enlarged detail below. It will only move approximately 1/8-inch. NOTE: the tab must not be forced beyond the "flush" position of the collar. Proceed to step 3.
3. Insert the base of the telescopic tube (D) into the power head swivel neck (3). Make sure that the connection tab (A) is properly aligned with the connection plug (4) in the swivel neck. Damage to the connection may occur if the tab and the plug are not properly aligned.



ATTACHING THE CENTRAL VAC ADAPTER



1. Refer to the photo to locate the "stop groove" (E) inside the adapter (F).
2. Loosen the two screws (G) on the adapter (F), but do not remove. Insert the wand into the tube of the adapter until it rests FIRMLY against the "stop groove" (E). The tube MUST be fully inserted up to the "stop groove." If necessary, place the adapter against a soft stationary surface and use a RUBBER mallet to GENTLY tap the adapter onto the tube until it rests against the "stop groove."

NOTE: The tube MUST be FULLY inserted.

3. Tighten the screws (G) but do not overtighten them.

OPERATING INSTRUCTIONS

Operating the Power Head - Figures 1 & 2

A. To clean delicate or hard floor surfaces with straight suction only, the power head is equipped with an on/off switch (#6, figure 1). When this switch is used to turn off the brush roller, the green indicator light is also turned off.

B. When the power head is switched on with the swivel neck (#3, figure 2) in the upright locked position, the brush roller will not spin and the green light will not illuminate. To release the power head from the upright locked position, press down on the foot pedal (#8, figure 2) and lower the swivel neck into the normal operating position. The brush roller will then start spinning and the green light on the power head will illuminate.

The handle can be lowered to a horizontal position useful for vacuuming under beds.

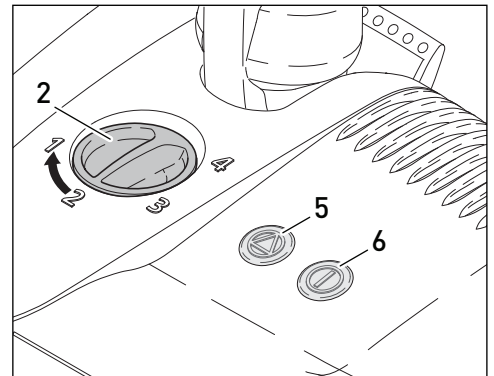


Figure 1

The Brush Height Adjustment Feature - Figure 1

To manually adjust the brush height, rotate the dial (#2) for high carpet (dial setting 4) and progressively lower to bare floor (dial setting 1). The amber light located on top of the power head (#5) will illuminate if the height setting is too high. Dial down to the next number until the amber light turns off. If the amber light does not turn off, the brush roller may be worn.

Indicator Lights - Figures 1, 2 & 3

The use of a power head is recommended for the optimal cleaning of carpets. The rotating of the swivel neck (figure 3) allows the power head to move in any direction.

By pushing the foot pedal (#8, figure 2) and lowering the swivel neck, you activate the power head and the brush begins spinning. Failure to use the foot pedal will cause lasting damage to the machine. The electronic brush control constantly monitors the status of the brush, communicating the status through the lights on top.

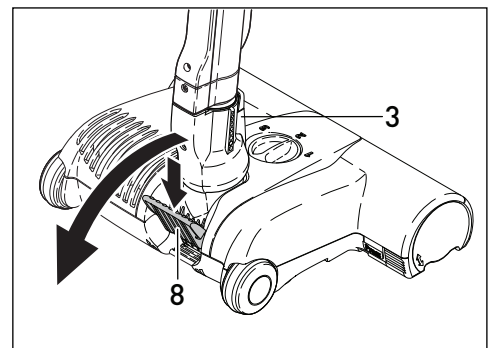


Figure 2

Green and Amber Light: (#5 and #6, figure 1) The brush is not fully engaged in the carpet. The height adjustment should be lowered. If the height adjustment is at its lowest setting, the brush is worn and needs to be replaced.

Green Light Only: (#6, figure 1) Brush is working well. We strongly recommend selecting a brush height that is only one level beneath that at which both the green and amber lights are on. For maximum cleaning performance, the brush height adjustment can be lowered to its lowest setting.

Amber Light Only: (#5, figure 1) The brush is blocked. Turn off the power head, disconnect it from the power source, and then remove the blockage.

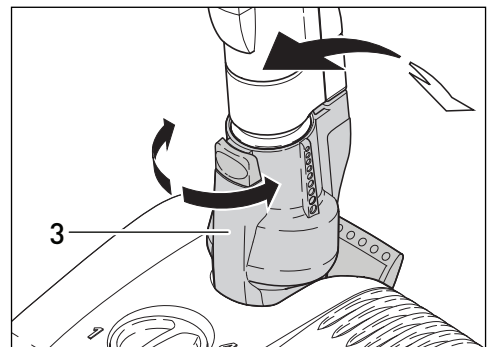


Figure 3



WARNING! *The quality, condition, coating, texture, age and manufacturing technique of all floor surfaces vary. Therefore, power heads with rotating brushes, including your SEBO, may damage some floor coverings or surfaces. Some types of high-gloss hardwood floors, cushion vinyl, berber carpets, long shag, and delicate or hand-woven carpets are particularly vulnerable to damage by rotating brushes. When possible, consult the materials supplied by your flooring manufacturer for information on proper upkeep and cleaning. To ensure that your new SEBO power head is compatible with your floor, please test the power head on each type of flooring surface in a small inconspicuous area to determine if any damage occurs. If damage occurs, stop using the power head immediately!*

MAINTENANCE

⚠ Always disconnect power head from power source before dismantling any part of the machine!

Removing the Brush Roller - Figure 4

To remove the brush roller, press the button marked "PRESS" (#10) and turn the brush roller end cap downward. Turn the brush (#12) slightly to the right and pull it out. We recommend regular removal of threads and hair which have wound around the brush roller.

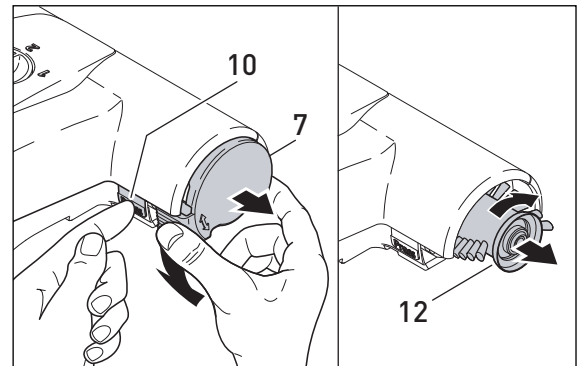


Figure 4

Cleaning the Brush Roller

Disconnect power head from power source before attempting to clean the brush.

The brush should be cleaned regularly.

Fibers and hair can be pulled out of the brush while manually rotating the roller, or the roller can be removed from the power head to clean it.

CLOG REMOVAL

⚠ Always disconnect power head from power source before removing any clogs!

Clogs in the Airflow Pathway - Figure 5

Many clogs can be removed by accessing the airflow pathway via the orange colored access door (#13, figure 5) located on the underside of the power head.

Clogs in the Swivel Neck

Check the swivel neck regularly for blockages. Do not open the machine. To check for a clog in the swivel neck (#3, page 5), remove the telescopic tube by pressing the release button (#9, page 5). Pull the tube out of the swivel neck. Push the obstruction down the neck with a stick or long screwdriver and remove it through the orange access door (#13, figure 5).

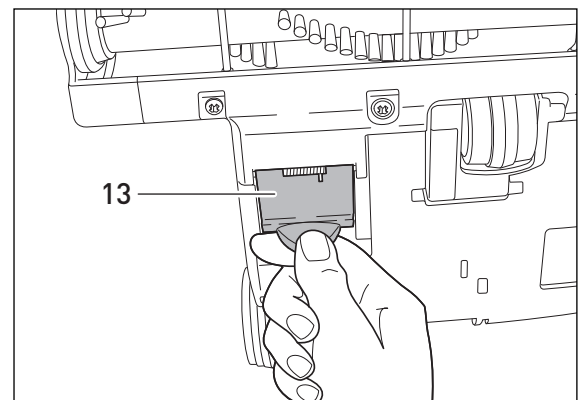


Figure 5

For clogs not in the power head, please refer to your canister vacuum or central vac unit owner's manual.

TROUBLE-SHOOTING GUIDE



Always disconnect the power head before dismantling any part of the machine!

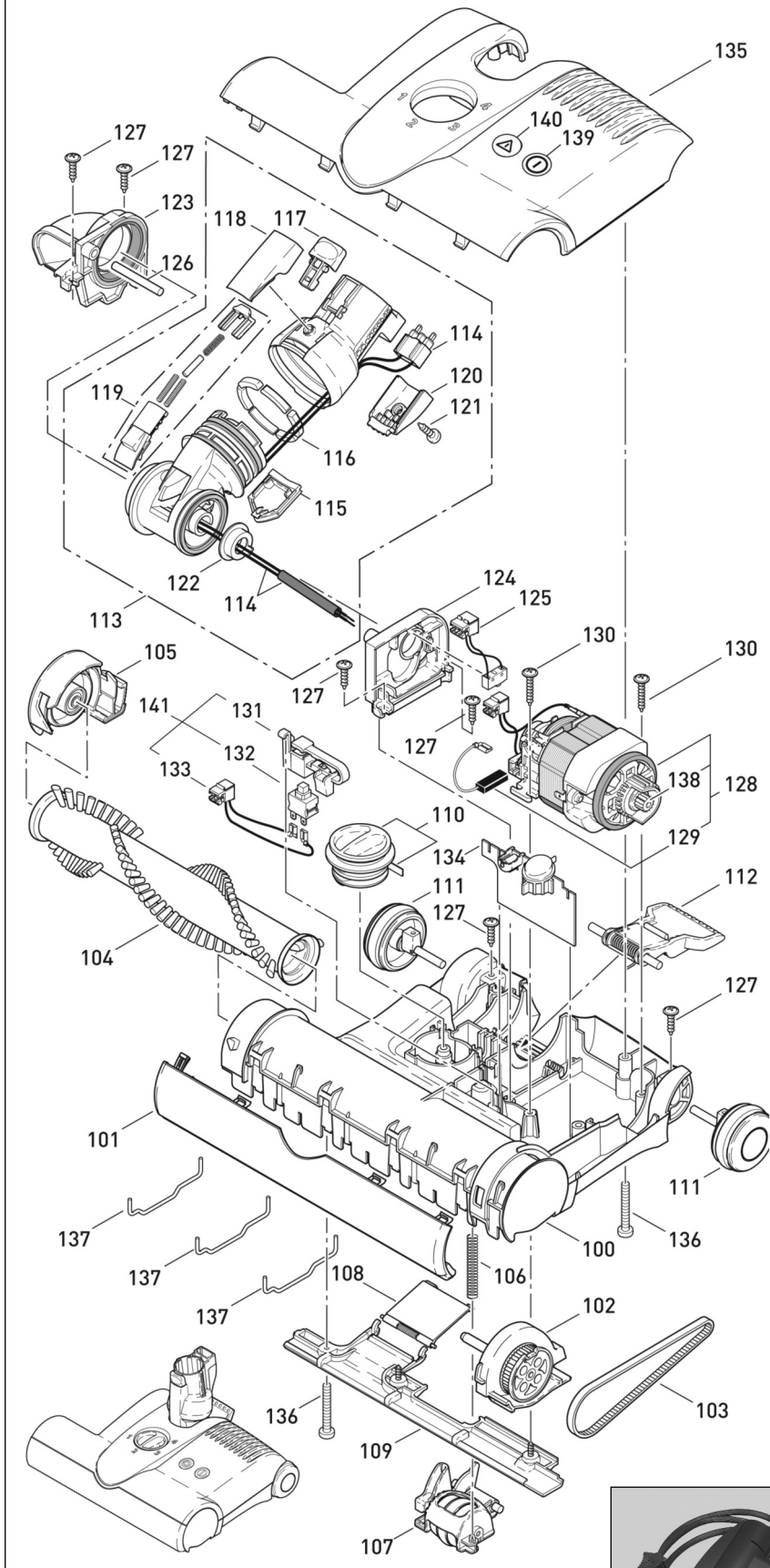
PROBLEM	REASON	SOLUTION
Does not turn on	1. Telescopic tube not inserted properly.	1. See page 5.
	2. Not plugged into good outlet.	2. Use another outlet.
	3. The switch on the power head is off.	3. Press the power head brush on/off switch. See page 7.
	4. The internal switch in the swivel neck is off because the machine is in the upright locked position.	4. Release the foot pedal and lower the suction neck to operating level. See page 6.
Amber and green lights are both on	1. Brush worn.	1. Replace brush. See page 8.
	2. Reduced brush action.	2. Brush is not fully in contact with the floor.
No lights are illuminated	1. Machine is in upright locked position and roller is shut off.	1. Release the foot pedal and lower the telescopic tube to operating level. See page 6.
	2. The switch on the power head is off.	2. Press the power head brush on/off switch. See page 7.
	3. The internal switch in the swivel neck is off because the machine is in the upright locked position.	3. Release the foot pedal and lower the suction neck to operating level. See page 6.
Amber light is on & brush stops spinning	1. Jammed brush roller.	1. Remove brush roller obstruction. See page 8.
	2. Clog in airflow pathway or swivel neck.	2. Remove clog. See page 8.
	3. Overload shut down from excessively deep but loose carpet pile (e.g., long shag carpet).	3. If carpet pile is too deep and loose, then use a "shag rake" attachment instead of the ET-1 or ET-2 power head.
Does not pick up	1. Telescopic tube of vacuum not inserted properly into power head.	1. See page 5.

Check your K3 or D4 canister owner's manual for more trouble-shooting problems and solutions.

ET-1 SCHEMATIC AND PARTS LIST

#9258AM ET-1 - White
 #9272AM ET-1 - Volcano (Orange)

#9299AM ET-1 - Red
 #9951AM ET-1 - Onyx (Black)



ET-1: 12 inches

#9258AM ET-1 White Power Head

Pos.	Part #	Description
100	2324GS	Chassis ET-1
101	2302GS	Bumper, cpl.
102	2314GS	Bearing block, left cpl.
103	2923	Belt 333 3M HTDII-6
104	5010AM	Brush roller, cpl.
105	2313GS	Bearing block, right cpl.
106	2929	Spring
107	2316GS	Pile adjustment assembly, cpl.
108	2909VO	Access door w/axle & spring
109	2304GS	Rear bottom plate, cpl.
110	2931GS	Pile adjustment button
111	2306GS	Wheel, cpl.
112	2937OR	Foot pedal w/axle & spring
113	2307GS	Swivel neck assembly, cpl.
114	0876ER	Wiring for swivel neck
115	2947GS	Cover, TS-neck
116	2950ER	Segments, metal (6 pc. set)
117	1737GS	Release button/w leaf spring
118	2952GS	Button cover
119	2945GS	Swivel neck slide
120	2951GS	Socket cover
121	01027	Screw F 3.9x9.5
122	2954	Swivel neck bearing
123	2311	Swivel neck support, right
124	2312	Swivel neck support, left
125	0880	Wiring swivel neck switch
126	2928	Axle
127	01021	Screw F 3.9x13
128	2973ER	Brush motor, 175W w/pulley (129 & 138)
129	05141S	Carbon brush set
130	01020	Screw F 3.9x21
131	2958ER	Lever w/leaf spring
132	05114	Single pole switch
133	0881	Wire
134	2983ER	Printed circuit board
135	2326GW	Power head cover ET-1, White
136	0176TL	Screw AM 4x30
137	5402	Wire tire
138	2319	Motor pulley
139	2957	On/off button/lens
140	2956	Brush light lens
141	2959ER	Switch assembly cpl. (131-133)
142	2780AM	Central Vac Adapter for ET-C, ET-H, ET-1, ET-2 and DISCO power heads. 35" cable, 1 1/4" or 1 3/8" diameter fitting.

#9272AM ET-1 Volcano (Orange)

Power Head Exceptions

135	2326VOET	Power head cover ET-1, Orange
-----	----------	-------------------------------

#9299AM ET-1 Red Power Head Exceptions

135	2326DR	Power head cover ET-1, Red
-----	--------	----------------------------

#9951AM ET-1 Onyx (Black) Power Head Exceptions

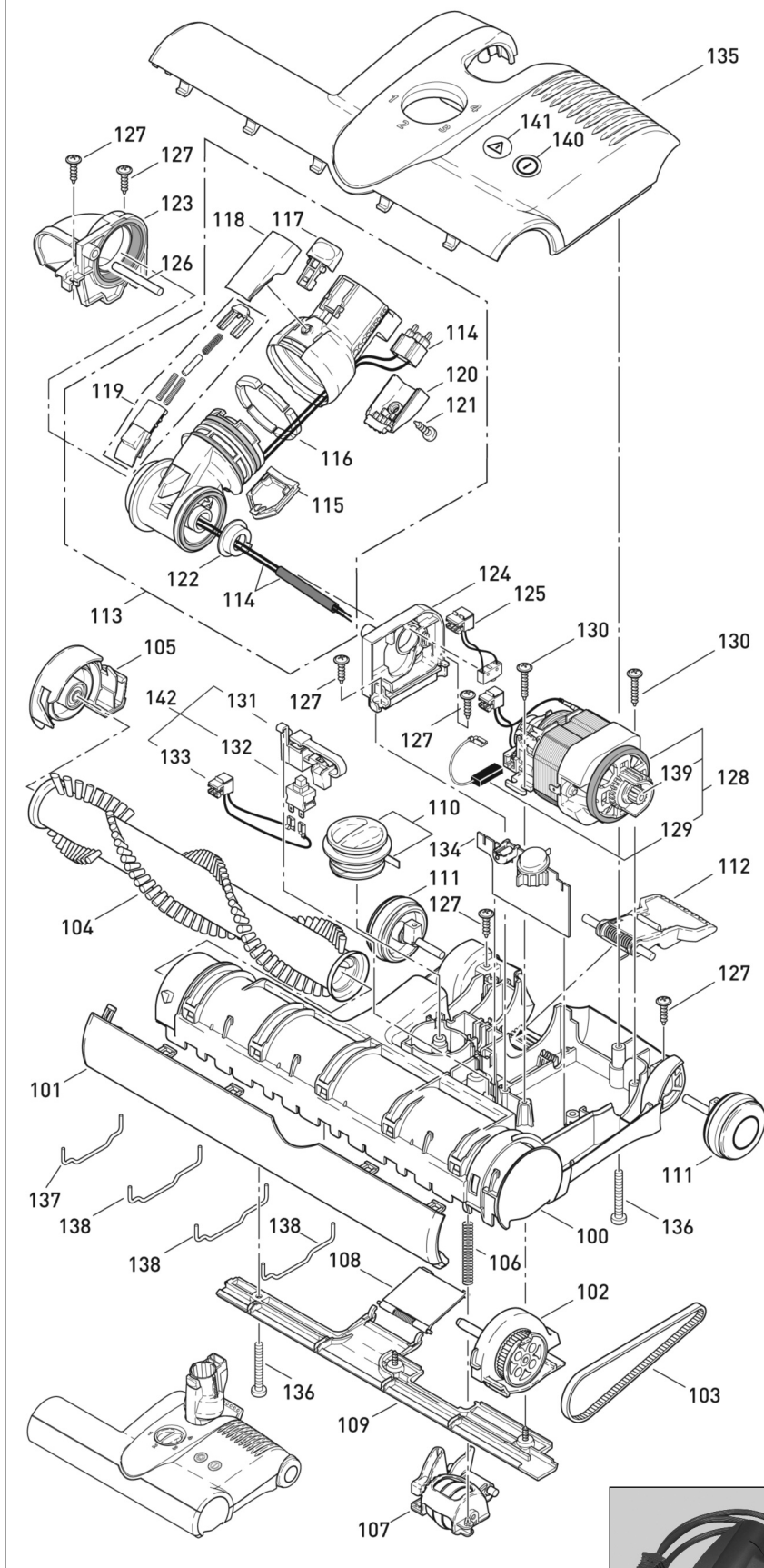
110	2931SB	Pile adjustment button
135	2326SWET	Power head cover ET-1, black



ET-2 SCHEMATIC AND PARTS LIST

#9259AM ET-2 - White
#9958AM ET-2 - Onyx

#9250AM ET-2 - Red



ET-2: 15 inches

#9259AM ET-2 White Power Head

Pos.	Part #	Description
100	2325GS	Chassis ET-2
101	2303GS	Bumper, cpl.
102	2314GS	Bearing block, left cpl.
103	2923	Belt 333 3M HTDII-6
104	2838AM	Brush roller, cpl.
105	2313GS	Bearing block, right cpl.
106	2929	Spring
107	2316GS	Pile adjustment assembly, cpl.
108	2909V0	Access door w/axle & spring
109	2305GS	Rear bottom plate, cpl.
110	2931GS	Pile adjustment button
111	2306GS	Wheel, cpl.
112	2937OR	Foot pedal w/axle & spring
113	2307GS	Swivel neck assembly, cpl.
114	0876ER	Wiring for swivel neck
115	2947GS	Cover, TS-neck
116	2950ER	Segments, metal (6 pc. set)
117	1737GS	Release button w/leaf spring
118	2952GS	Button cover
119	2945GS	Swivel neck slide
120	2951GS	Socket cover
121	01027	Screw F 3.9x9.5
122	2954	Swivel neck bearing
123	2311	Swivel neck support, right
124	2312	Swivel neck support, left
125	0880	Wiring swivel neck switch
126	2928	Axle
127	01021	Screw F 3.9x13
128	2974ER	Brush motor, 200W w/pulley (129 & 139))
129	05141S	Carbon brush set
130	01020	Screw F 3.9x21
131	2958ER	Lever w/leaf spring
132	05114	Single pole switch
133	0881	Wire
134	2984ER	Printed circuit board
135	2341GWET	Power head cover ET-2, White
136	0176TL	Screw AM 4x30
137	5401	Wire tire
138	5402	Wire tire
139	2319	Motor pulley
140	2957	On/off button/lens
141	2956	Brush light lens
142	2959ER	Switch assembly cpl. (131-133)
143	2780AM	Central Vac Adapter for ET-C, ET-H, ET-1, ET-2 and DISCO power heads. 35" cable, 1 1/4" or 1 3/8" diameter fitting.

#9250AM ET-2 Red Power Head Exceptions

135 2341DRET Power head cover ET-2, Red

#9958AM ET-2 Onyx (Black) Power Head Exceptions

110 2931SB Pile adjustment button - silver
135 2341SWET Power head cover ET-2, Black

